

ULTRA COMPACT HD CAMERA



SIDUS

Subsea Video Solutions

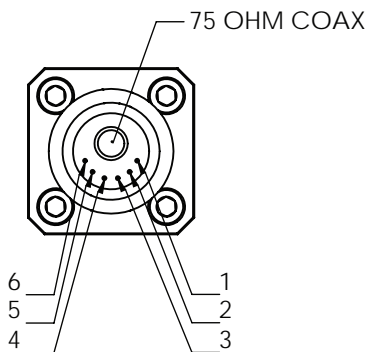
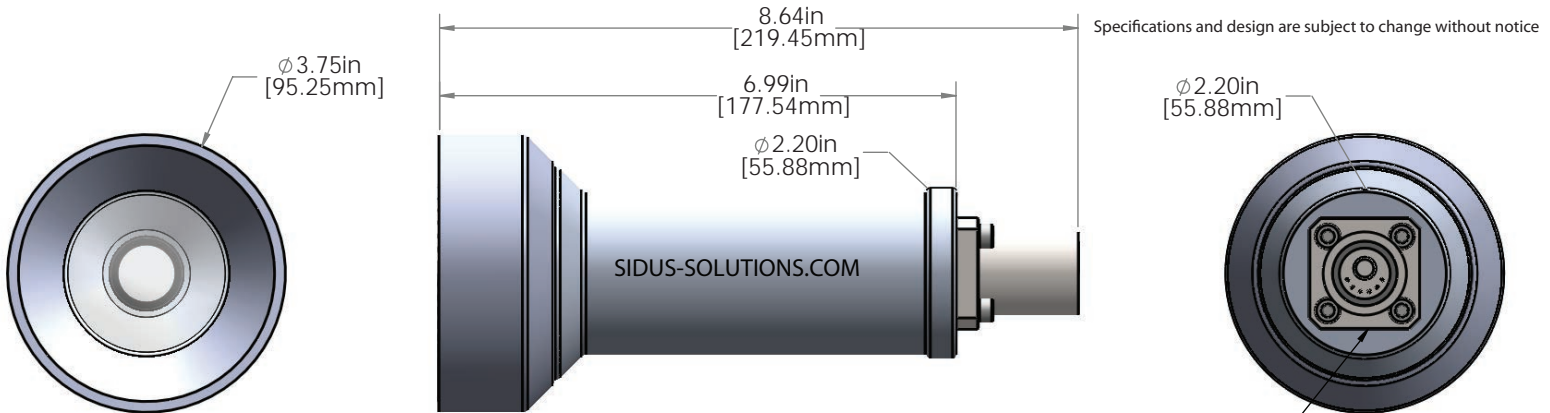
SS474 HD Camera



- ⊕ HD-SDI (1080P) & Composite Video
- ⊕ Optically Corrected Viewport
- ⊕ 6000M Depth Rated
- ⊕ Anodized Aluminum / 6L4VT TI
- ⊕ Remote Camera Setting Over Serial Interface
- ⊕ Ultra Compact Design (95.25mm D x 219.45mm L)

SS474 SPECIFICATIONS:

Image Sensor	2.1 Megapixel, 1/3" SONY Exmor Color CMOS
Video Output Mode (HD-SDI)	1080p@30 fps, 1080p@25 fps, 720p@60 fps, 720p@50 fps
Video Output Mode (CVBS)	NTSC / PAL selectable
Effective Pixels (H x V)	1984 x 1105
Unit Cell Size (H x V)	2.8 um x 2.8 um
Lens	2.9mm or 3.7mm
Field of View	92° or 78°
S/N Ratio	More than 50dB
Min. Illumination	0.1 Lux
Shutter Speed	Auto / Manual
Min. Exposure Time	1/60,000 sec
Day & Night	Digital Day & Night
IP Rating	IP68 (6000m)
On-Screen Display (OSD)	Sidus Control Panel
Protocol	RS-485 or RS-232 user defined
BLC	On / Off
DNR	3D DNR
White Balance	Auto / AutoExt / Push / Manual
Privacy Masking	16 Zones
WDR	D-WDR
Digital Zoom	1X ~ 8X
Digital Slow Shutter	Off, 2x ~ 8x
Operating Temperature	14 °F ~ 122 °F (-10 °C ~ 50 °C)
Storage Temperature	-4 °F ~ 140 °F (-20 °C ~ 70 °C)
Power Consumption	9 - 32 VDC, 150mA
Dimension	Φ3.75 x 8.64 inch (Φ95.25 mm x 219.45 mm) Body Φ2.20 inch
Weight	2.75 lbs (1.25 Kg) in air.



MINI CONNECTOR STANDARD

PIN	SIGNAL
COAX	HD-SDI OUT
1	COMMON
2	+9 TO 32 VDC
3	-RS485/RX
4	+RS485/TX
5	CVBS VIDEO SHIELD
6	CVBS VIDEO SIGNAL

