

SS182MKII ~ DarkSaber LED Light, Laser, Strobe Specifications



11,000 Lumens LED Light High Intensity Strobe Adjustable Line Laser 5-100mW

- Micro controlled with flickerless constant current
 - No Acoustic Noise = No effects on nearby sonars
 - Color Temperature: 4000 Kelvin
 - Color Rendering Index (CRI) 70
- Depth rated 4000m Aluminum / 6000m Titanium
 - Multiple lights can be controlled by a single serial port
 - Light functions, including strobing, can be controlled remotely via analog, digital inputs, over a serial communication port or while being synchronized to a digital still camera.

OPTICAL SPECIFICATIONS:

Light Type	High Brightness White LED
Light Intensity	11,000 Lumens
Color Temperature	4,000 Kelvin
Color Rendering Index (CRI)	70
Beam Angle	≥ 75 degrees
Efficacy	127 Lumens per watt @ Full
Laser	Split Laser Optional



ENVIRONMENTAL SPECIFICATIONS:

Operating Depth	3,000 meters (13,123 feet)
Operating Temperature	-20°C to 60°C (-4°F to 140°F)
Storage Temperature	-30°C to 75°C (-22°F to 167°F)
Housing	6061 Aluminum, Hard Black Anodized
Window	Sapphire (Acrylic Optional)

ELECTRICAL SPECIFICATIONS:

Voltage	21~36VDC
Power	90W Max
LED Drive	DC Constant current, no flicker, no acoustic noise
LED Life	50,000 Hours Minimum
Thermal Protection	Automatic, 60°C Max in Air
Analog Control	From 0 volts up to 40VDC (configurable) 1 power cycle
Digital Control	Digital inputs
Strobe Light Output	Rise Time, to full brightness: 70us

MECHANICAL SPECIFICATIONS:

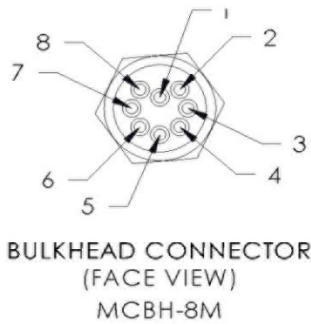
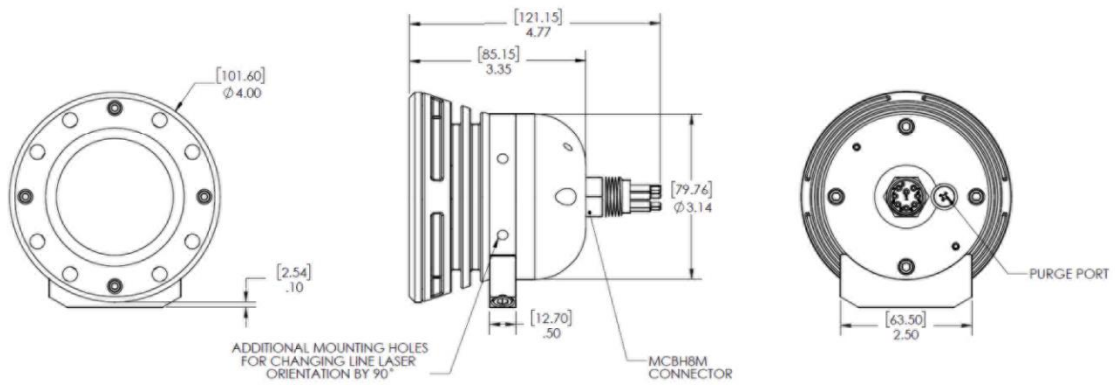
Housing	Anodized Aluminum (182MKII)
Port	Sapphire (Acrylic Optional)
Dimensions (w/o connector)	4.77" [121.15mm] length x 4.00" [101.6mm] diameter
Weight in Air	2.55 lbs [1.16 kg]
Weight in Water	1.83 lbs [0.83 kg]
Default Connector	MCBH-8MP

1. PWR-COM
2. +24VDC
3. RX / RS485A-
4. TX / RS485B+
5. DIG_CTRL 1
6. DIG_CTRL 2
7. ANA-IN1
8. 3V3

Connector Pinout – MCBH-8M



CONNECTOR PIN OUTS:



CONNECTOR PINOUT—MCBH-8M

PIN 1	PWR-COM	PIN 5	DIG_CTRL 1
PIN 2	+24VDC	PIN 6	DIG_CTRL 2
PIN 3	RX/RS485A-	PIN 7	ANA-IN1
PIN 4	TX/RS485B+	PIN 8	3V3

DESIGN:

The information contained in this drawing is the sole property of Sidus solutions. Any reproduction in part or without the written permission of Sidus Solution is prohibited.

Caution: Laser light is bright and blinding. DOT NOT shine at aircraft or vehicles at any distance.

Specifications subject to change without notice and products described herein are subject to specific disclaimer. <https://www.sidus-solutions.com/support-resources/legal-disclaimer/>

