



Professional Solutions for Hazardous Area & Subsea Systems

SEA TORCH LED

SS181mkII



Features

- ◆ High output LED with dimming control
- ◆ Luminous Flux: 3500 Lumens
- ◆ Dimming Options: RS485/RS232, Analog or Power Cycle
- ◆ Efficacy: 100 Lumens/Watts
- ◆ Color Temperature: 4000 Kelvin CRI: 70

SIDUS supplies complete turn-key inspection systems equipment and services. Ask your representative today about other SIDUS products, offering and services or our customized options.

System Supplier Project Management System Installation and Commissioning Complete System Integration Technical Documentation

7352 Trade Street, San Diego, CA 92121 Office: 619-275-5533 Fax: 619-275-5544

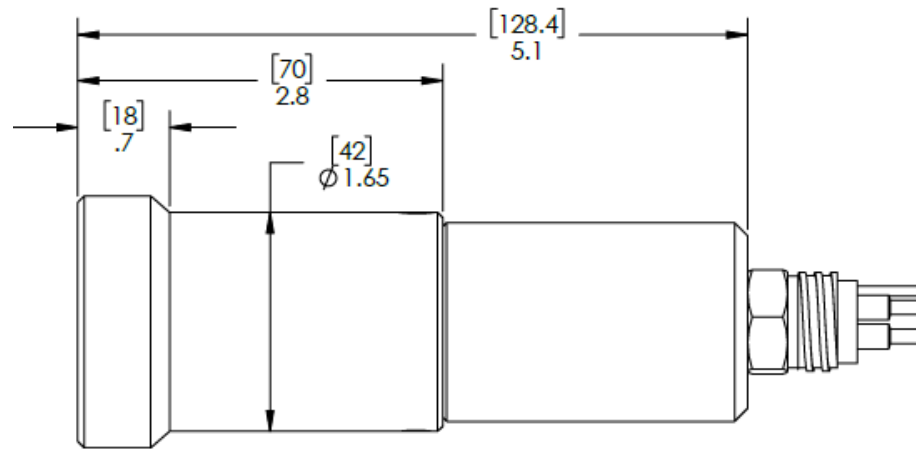
www.sidus-solutions.com

Email: info@sidus-solutions.com

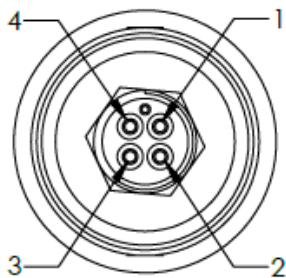


SS181mkII		
Optical Specifications		
Luminous Flux	Approx. 3500 Lumens	
Efficacy	Approx. 100 Lumens/Watts	
Color Temperature	4000 Kelvin	
Color Reproduction Index	70	
Field of View (Wide)	90° conical in water	140° conical in air
Lamp Life	Up to 50,000 hours	
Environmental Specifications		
Operating Depth	3,300 feet / 1,000 meters	
Operating Temperature	-10° to +50° (-14°F to +122°F)	
Operating Storage	-20° to 60°C (-4°F to +140°F)	
Electrical Specifications		
Operating Voltage	20-28 VDC	
Power	Approx. 35W (full intensity)	
Dimming Options	Power cycle (Preset Intensity Level 100%, 10%, 50%, 75%)	
	RS485/RS232 or Analog	
Mechanical Specifications		
Dimensions	Diameter 1.9 in / 48 mm	
Length	5.1 in / 130 mm (without connector)	
Housing	Hard Anodized Aluminum	316 Stainless Steel
Weight – In Air	Aluminum: 0.75lbs/0.34kg	316SS: 1.313lbs/0.595kg
Weight – In Water	Aluminum: 0.53lb/0.25kg	316SS: 0.875lbs/0.396kg
Housing	Hard Anodized Aluminum	316 Stainless Steel
Connector		
Connector	Customer selectable – Seacon is Standard	

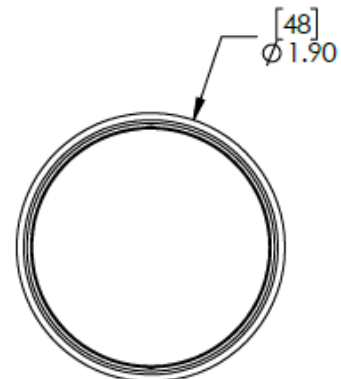
181mkII Dimensions



Connector Pin Out



Window Diameter



PIN OUTS	
1	COMM
2	24 VDC
3	RS-485 +
4	RS-485 -