



Dark Saber

SS182mkII

11,000 Lumens LED Light
Adjustable Line Laser 5-100mW
High Intensity Strobe



Features

- ◆ **Micro-Controlled with flickerless constant current**
- ◆ **No Acoustic Noise = No effects on nearby sonars**
- ◆ **Depth Rate 4000 Meters (6000 meters optional)**
- ◆ **Color Temperature: 4000 Kelvin Color Reproduction Index (CRI) : 70**
- ◆ **Multiple lights can be controlled by a single serial port**
- ◆ **Light functions, including strobing, can be controlled remotely via analog, or digital inputs, over a serial communication port or while being synchronized to a digital still camera.**

SIDUS supplies complete turn-key inspection systems equipment and services. Ask your representative today about other SIDUS products, offering and services or our customized options.

System Supplier Project Management System Installation and Commissioning Complete System Integration Technical Documentation

7352 Trade Street, San Diego, CA 92121 Office: 619-275-5533 Fax: 619-275-5544

www.sidus-solutions.com

Email: info@sidus-solutions.com

Specifications

182mkll			
Optical Specifications			
Light Type	High brightness white LED		
Light Intensity (Lumens)	11,000		
Color Temperature	4000 Kelvin		
Color Rendering Index (CRI)	70		
Efficacy	182 Lumens per watt @ 10% intensity	127 Lumens per watt @ Full Intensity	
Beam Angle	≥ 75°		
Laser	520µnm direct green	5-100 milliwatts max (adjustable)	Line lens available
Environmental Specifications			
Operating Depth	4000 meters (13,000 ft)		
Operating Temperature	-20° to 60°C (-4°F to +140°F)		
Storage Temperature	-30° to 75°C (-22°F to +167°F)		
Housing	6061 Aluminum, Hard black anodized		
Window	Sapphire (Acrylic optional)		
Electrical Specifications			
Input Voltage	20-36 VDC		
LED Life	50,000 hours minimum		
Thermal Protection	Automatic, 60° C in air		
Power	90w max		
LED Drive	DC Constant current	No flicker	No acoustic noise
Analog Control	0 Volts up to 40 VDC (configurable)		
Digital Control	Serial Ports	Digital Inputs	
	Analog Input	Power Cycling	
Communication Protocol	RS485	RS232	
Strobe Light Output	0 too 14000 Lumens	1 to 100 mS	
	Trigger	Rising or Falling Edge	
	Delay of Trigger	1 mS	
	Rise Time, of to full brightness	70µS	

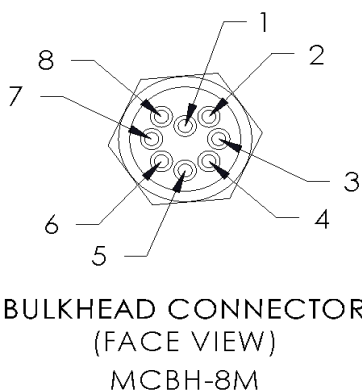
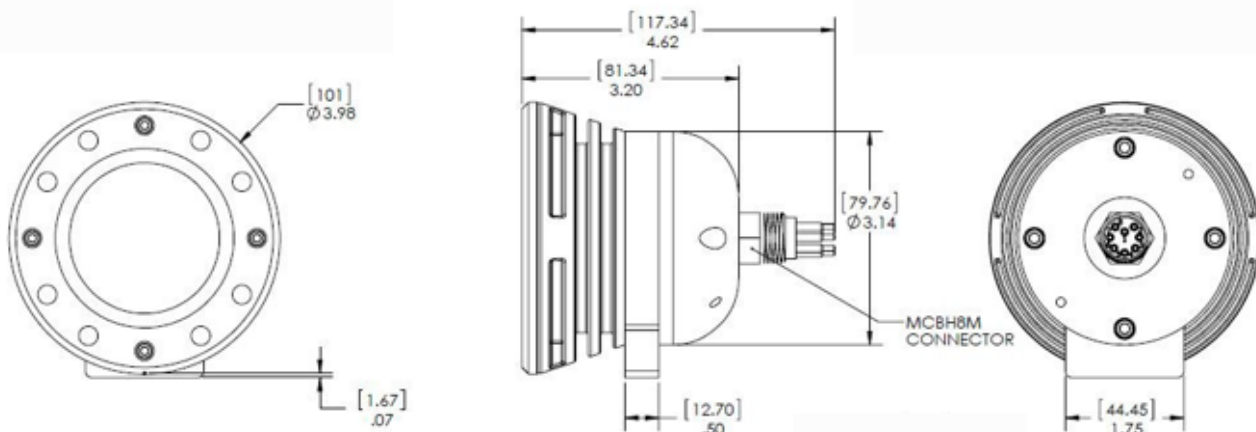


Caution: Laser light is bright and blinding _ DO NOT shine at aircrafts or vehicles at any distance.

Specifications

182mkII	
Mechanical Specifications	
Dimensions	Diameter 3.98 in / 101 mm
Length	4.62 in / 117.34 mm
Weight – In air	2.2 lbs (1kg)
Weight – In water	1.4 lbs (.65kg)
Connector	MCBH-8MP

Dark Saber—182mkII Dimensions



CONNECTOR PINOUT—MCBH-8M

PIN 1	PWR-COM	PIN 5	DIG_CTRL 1
PIN 2	+24VDC	PIN 6	DIG_CTRL 2
PIN 3	RX/RS485A-	PIN 7	ANA-IN1
PIN 4	TX/RS485B+	PIN 8	3V3