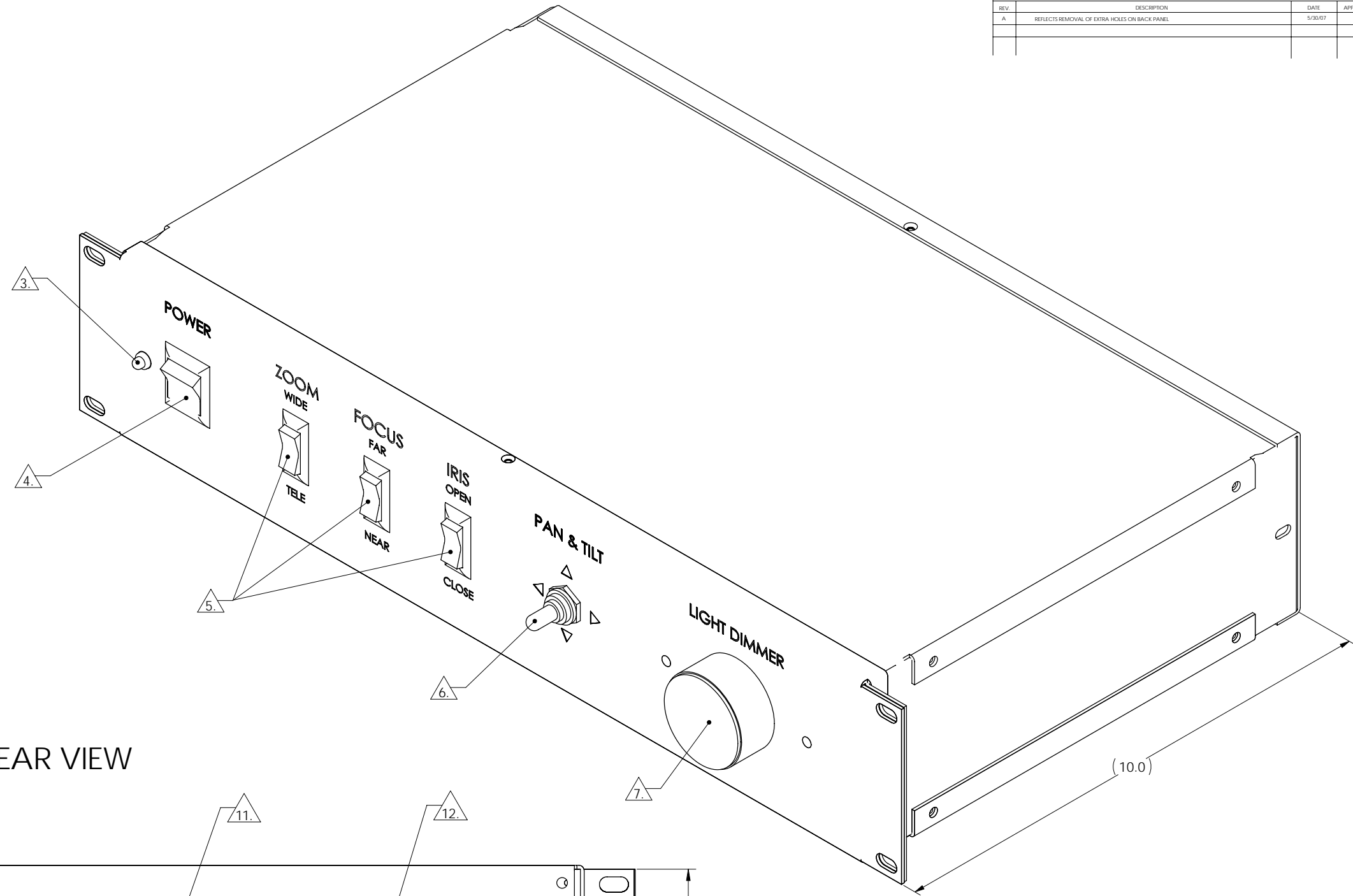


THE INFORMATION CONTAINED IN THIS DRAWING IS THE SOLE PROPERTY OF SIDUS SOLUTIONS INC. ANY REPRODUCTION IN ANY PART OR AS A WHOLE WITHOUT THE WRITTEN PERMISSION OF SIDUS SOLUTIONS INC. IS PROHIBITED.

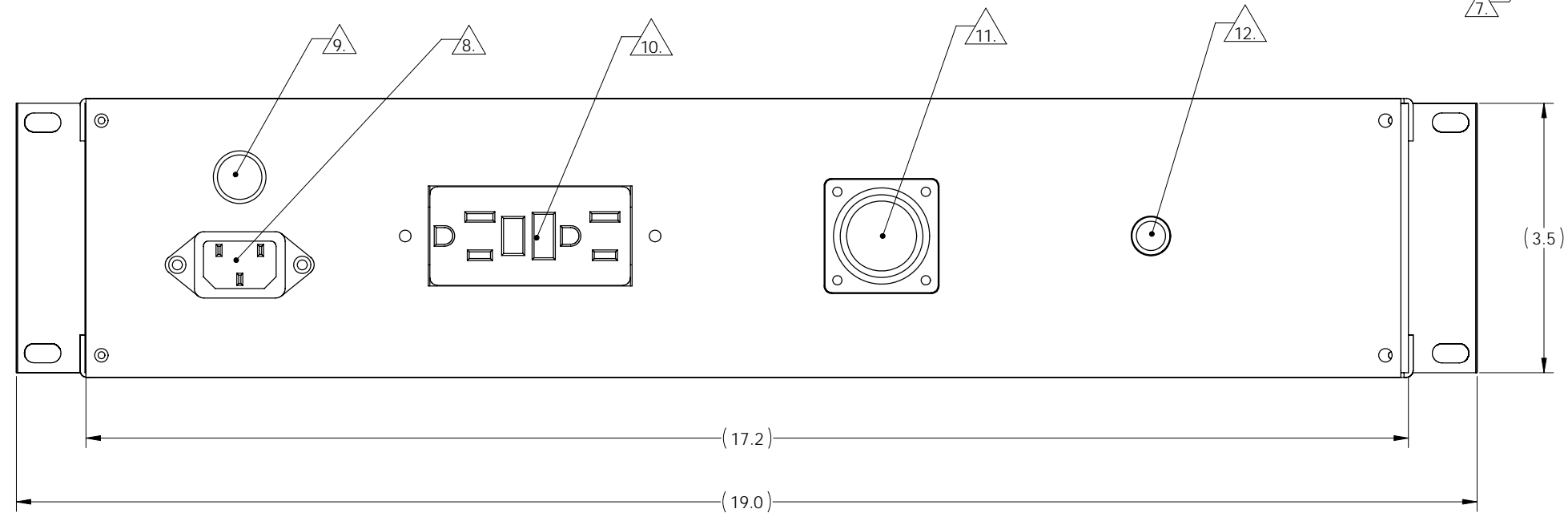
- NOTES: UNLESS OTHERWISE SPECIFIED
1. UNIT AVAILABLE IN 110V OR 24V AC PAN & TILT OUTPUT POWER
 2. UNITS WILL VARY UPON POWER REQUIREMENTS AND OTHER OPTIONS
 3. RED L.E.D. INDICATION OF CAMERA POWER
 4. POWER SWITCH, L.E.D. TO LEFT WILL ACTIVATE WHEN UNIT IS ON
PUSH UP TO ACTIVATE
 5. TOGGLE SWITCHES, FUNCTIONS AS INDICATED ON PANEL
 6. PAN & TILT CONTROL: VERTICAL CONTROLS TILT, HORIZONTAL CONTROLS PAN
 7. DIMMER KNOB, TURN CLOCKWISE TO ACTIVATE LIGHTS
 8. 120V AC POWER CORD RECEIVER
 9. FUSE
 10. GROUND FAULT INTERUPTER WITH 2 OUTLETS
 11. CONNECTOR; CONNECTS TO PAN & TILT, CAMERAS, AND LIGHTS
 12. BNC CONNECTOR FOR VIDEO OUTPUT FROM CAMERA. CONNECT TO VIDEO INPUT MONITOR (OPTIONAL)
 13. (OPTIONAL) FEET FOR A FREE UNMOUNTED CONTROLLER

- AUTOMATIC CONTROLS:
1. AUTOFOCUS: PRESS ZOOM-TELE AND FOCUS-NEAR SIMULTANEOUSLY
 2. AUTOEXPOSURE: PRESS FOCUS-NEAR AND IRIS-CLOSE SIMULTANEOUSLY

REV		DESCRIPTION	DATE	APPROVED
A		REFLECTS REMOVAL OF EXTRA HOLES ON BACK PANEL	6/20/07	JG



REAR VIEW



UNLESS OTHERWISE SPECIFIED DIMENSIONS ARE IN INCHES WITH THESE TOLERANCES:		APPROVAL	DATE
DECIMAL XX ± .01	ANGLE XXX ± .005	A. CARROLL	6/24/03
INTERPRET GEOMETRIC TOLERANCING PER: ANSI Y14.5M		COMMENTS	
REFER TO NOTE 1.		CAD GENERATED DRAWING DO NOT UPDATE MANUALLY	
NEXT ASSY	USED ON	FINISH	RMS SURFACE FINISH 6.3
APPLICATION		DO NOT SCALE DRAWING	SS 201

CONTROLLER OI

SIZE: **D** DWG. NO: 909001301 OI REV: **A**

SCALE: 1:1 PART FILE: 909001301 SHEET 1 OF 1