

Product MANUAL

2006 • version 1.2



10" LCD colour uni V2.0



Art.nr. 0206501

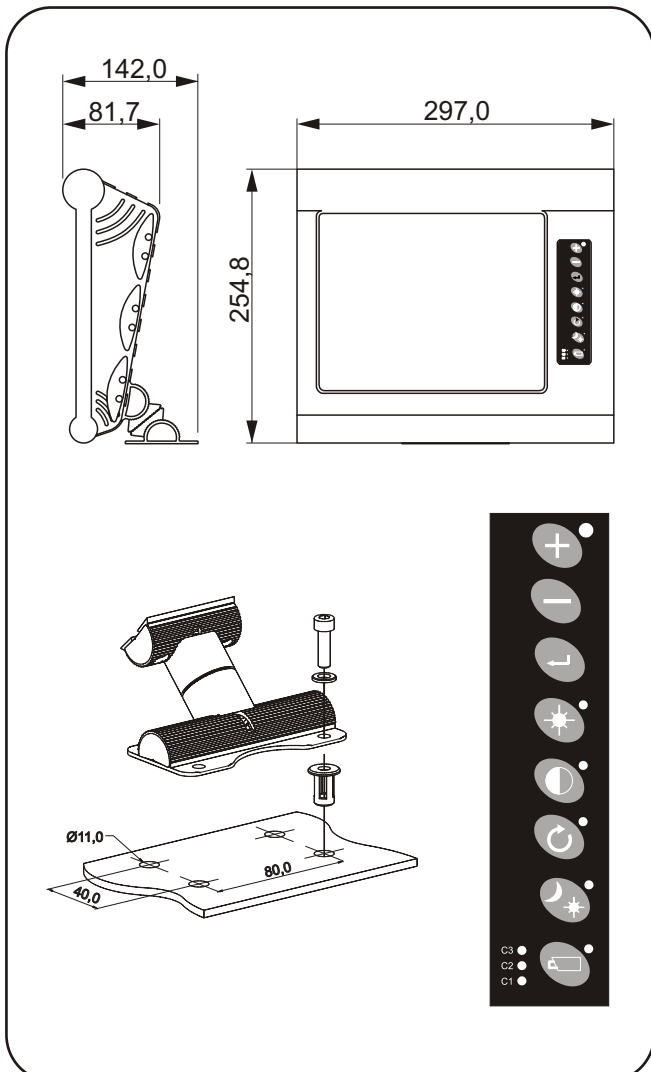
Technical specifications

10" LCD 0206501 V2.0 Orlaco LCD

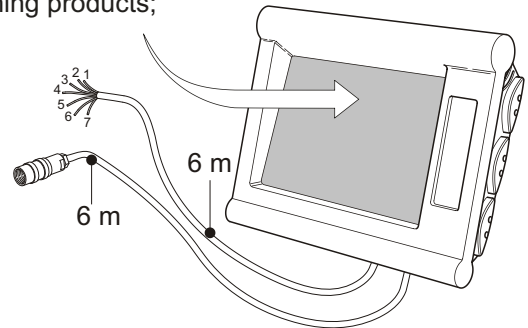
- Type:** TFT (thin film transistor) color active matrix LCD, CCFT backlight
Anti glare and hard coated 3H, 6 bit color 262.144
- Size:** 10,4" diagonal display, active area contains 800 x 600 pixels
(RGB dots 0.264x0.264). Wide viewing angle (H140°-V110°)
- TV System:** PAL CVBS video-input
- Luminance:** High luminance: max. 350 Cd/m²
- Contrast ratio:** 300:1
- Housing:** High Pressure Moulded Aluminum (AISI 12D), Anodized. Rugged finish.
- Weight:** 3,5 kg
- Protection** IP51 following DIN/IEC 529
- Power input:** +12...32V/DC, 20W, protection integrated on loaddump, overvoltage, undervoltage, polarity
- Oper. temp:** -35°C to +70°C, temperature sensor will (de)activate the LCD at -10°C & +65°C
- Approvals:** CE EMC EG/2004/104
- Settings:** All settings are controlled by software menu structure such as: contrast, brightness, colour, electronic distance markers, mirror image etc.
- Software:** menu contains English, German, French and Dutch languages.

All data are subject to change without notice.

Installation



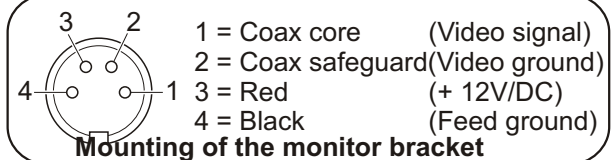
- Do not touch the LCD display;
- To clean the display use only a soft towel without using any aggressive cleaning products;



Connection to the monitor

1 = Red	= Power +12...32V/DC
2 = White	= Ground
3 = Blue	= Reverse function activated on +12...32/DC
4 = Brown	= Camera nr. 2 activated on +12...32V/DC
5 = White/Yellow	= Camera nr. 3 activated on +12...32V/DC
6 = Grey	= Camera selection +12...32V/DC
7 = Yellow	= Not connected

Soldering side of female connector (131084)



Mounting of the monitor bracket

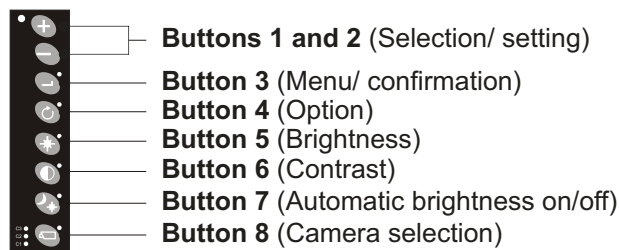
This section describes the basic LCD monitor operation using the frontpanel buttons. all settings made on the frontpanel can also be adjusted in the service menu.

Operator menu operation

Press the **enter** button once to open the operator menu.

The following keys are used to navigate through the menus :

- minus** Go to the next menu option
- plus** Go to the previous menu option
- enter** Select or activate the highlighted option
- option** Return to the previous menu



• Camera selection

Press the **camera** button once.

The camera LED will now blink, indicating that the **manual camera override** is active. Use the **plus** and **minus** buttons to select the camera. It is possible to use the other controls (brightness, contrast, etc) as long as manual camera selection is active. Press **camera** once more to leave manual camera selection mode. The manual camera selection function can be disabled in the service settings menu.

• Brightness adjustment

Press **brightness** once to enter brightness adjustment mode.

Now use the **plus** and **minus** buttons to select the image brightness.

The camera image settings function can be disabled in the service settings menu.

• Contrast adjustment

Press **contrast** once to enter contrast adjustment mode.

Now use the **plus** and **minus** buttons to select the image contrast.

Note: The camera image settings function can be disabled in the service settings menu.

• Saturation adjustment

Press **brightness** and **contrast** at the same time to enter saturation adjustment mode. Now use the **plus** and **minus** buttons to select the imagesaturation. The camera image settings function can be disabled in the service settings menu.

• Backlight compensation / zero-lux control

Press **backlight** once to enter backlight compensation / zero-lux mode. Press the **plus** button to toggle backlight compensation between on and off, press the **minus** button to toggle zero-lux between on and off, This option is only available when an autofocus camera is connected to the LCD Part number (02065030) and when the monitor is configured to use an autofocus camera on this input. Refer to the service menu for more details.

Standby

This option switches the LCD monitor to standby mode.

Press the **enter** button to switch to power on.

Info

This option shows the Orlaco LCD monitor.

If the user does not press any buttons during a 5 second period, the LCD monitor will display a small message describing the function of the current selected menu option.



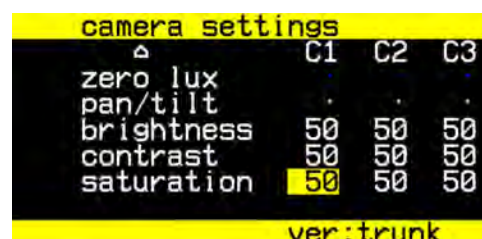
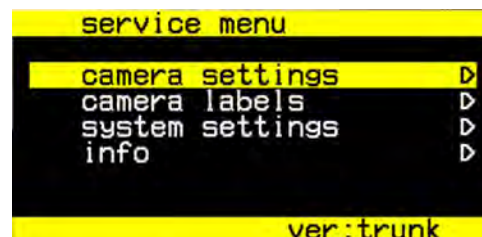
Service menu operation

To open the service menu, press the plus , minus and camera buttons at the same time.

The following keys are used to navigate through the menu
 The camera settings menu can be reached from the service main menu. When entering the menu, use the minus and plus buttons to select the camera to configure and press the enter button. The yellow cursor now jumps to the list of items. Use the minus and plus buttons to select the item to adjust, and press the enter button. If the selection option is an on/off switch, it will toggle between on and off. If the option is a numeric value, it is now possible to change the value with the minus and plus buttons, press the enter button to store the new setting. The service camera settings menu has the following options

- **Mirror**
 Enable this option to mirror the image (reverse left and right).
- **Switch delay**
 Enable this option if the switchwire is controlled by an intermittent signal, e.g. from an indicator light.
- **Marker**
 Enable this option to switch the marker on. The marker is displayed as a horizontal green line.
- **Marker position**
 Adjust the vertical position of the marker. 0 is top of screen, 100 is bottom of screen.
- **Graticule position**
 This option is not available on the 10"LCD models.
- **Cinema mode**
 This option is not available on the 10"LCD models.
- **Autofocus**
 Enable this option if a autofocus camera is connected.
 This will enable special options
 only available with an AF camera and a SERIAL LCD screen
- **Backlight**
 Backlight compensation is used for an enhanced picture when looking at dark objects in a light environment.
 only available with an AF camera and a SERIAL LCD screen
- **Zero-lux**
 Enable the zero-lux option for increased sensitivity in low-light environments.
 only available with an AF camera and a SERIAL LCD screen
- **Pan-tilt**
 Set this option to 'on' to enable pan/tilt control with the option button.
- **Brightness**
 Adjust the brightness of the image.
- **Contrast**
 Adjust the contrast of the image.
- **Saturation**
 Adjust the saturation of the image.
- **Camera label**

In this menu the text-labels for the camera inputs can be defined.



System settings;

- **Language**

This option opens the language selection menu.
The selected language will be used for all OSD menu's.

- **On screen display**

This option opens the OSD (On Screen Display) settings menu.
This menu has the following options :

- **OSD menu help**

Enable or disable the automatic help text in OSD menus. If enabled, an automatic help text will appear after 5 seconds of inactivity in any menu.

- **OSD timeout (camera label)**

Adjust the number of seconds the OSD (camera label) is visible.
Set to OFF to enables the marker line.

- **Keyboard menu**

This option opens the keyboard settings menu.
This menu has the following options :

- **Keyboard lock**

This option opens the keyboard-lock menu.
This opens a submenu where various functions of the LCD monitor can be disabled to avoid accidental adjustment of monitor settings.

- **CAN bus**

This option is not available on the 10"LCD models.

- **CAN speed**

This option is not available on the 10"LCD models.

- **CAN protocol**

This option selects the higher level CAN protocol to use.

- **LCD backlight**

This option opens the LCD backlight submenu. In the LCD backlight menu, two options are available :

- **LCD automatic backlight**

This option enables the automatic backlight control (ABC). The display will adapt its brightness to the amount of light in the environment LCD backlight This option manually sets the LCD backlight brightness, and is only available if the LCD automatic backlight option is switched off.

- **Scanning**

This option opens the scanning submenu. This menu has the following options:

- **Scan sequence**

This option selects the cameras which will be enabled in the scanning sequence. **if manual override is on this function will not work.**

- **Scan interval**

This option selects the interval between scanning camera switches.

- **Camera switch**

This option is not available on the 10"LCD models.

- **AUX function**

Select the function of the AUX1 and AUX2 wires. Set to TCH for tachometer on AUX1, or KEY for + and - key functions on AUX1/2.

- **Default settings**

This option opens the restore factory defaults menu. If the Yes option is chose, the LCD will revert all settings to their factory defaults.

Warning: All user-configured settings will be lost when the factory defaults are reset.

