

PROPRIETARY AND CONFIDENTIAL

THE INFORMATION CONTAINED IN THIS DRAWING IS THE SOLE PROPERTY OF SIDUS SOLUTIONS INC. ANY REPRODUCTION IN ANY PART OR AS A WHOLE WITHOUT THE WRITTEN PERMISSION OF SIDUS SOLUTIONS INC. IS PROHIBITED.

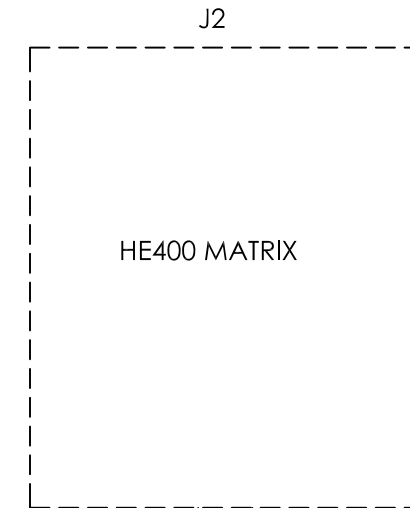
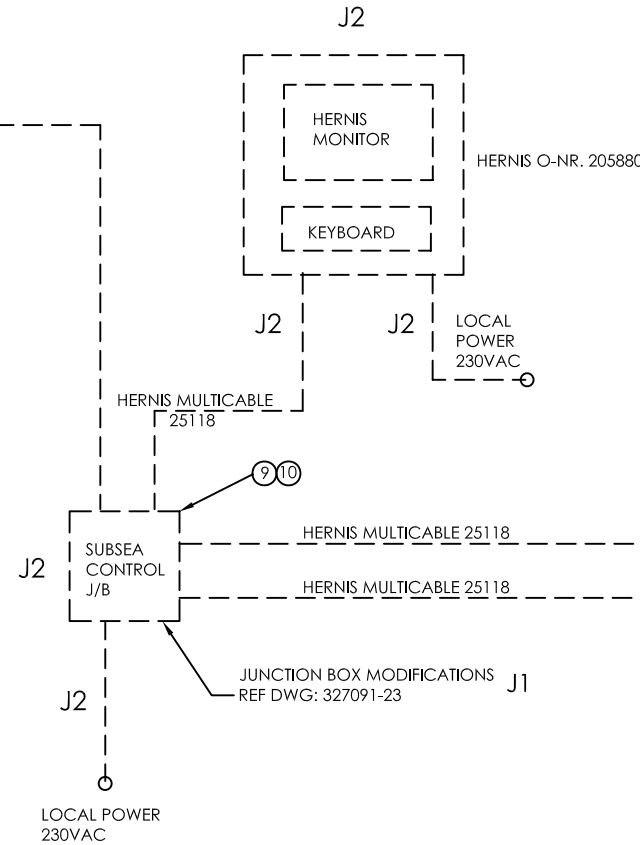
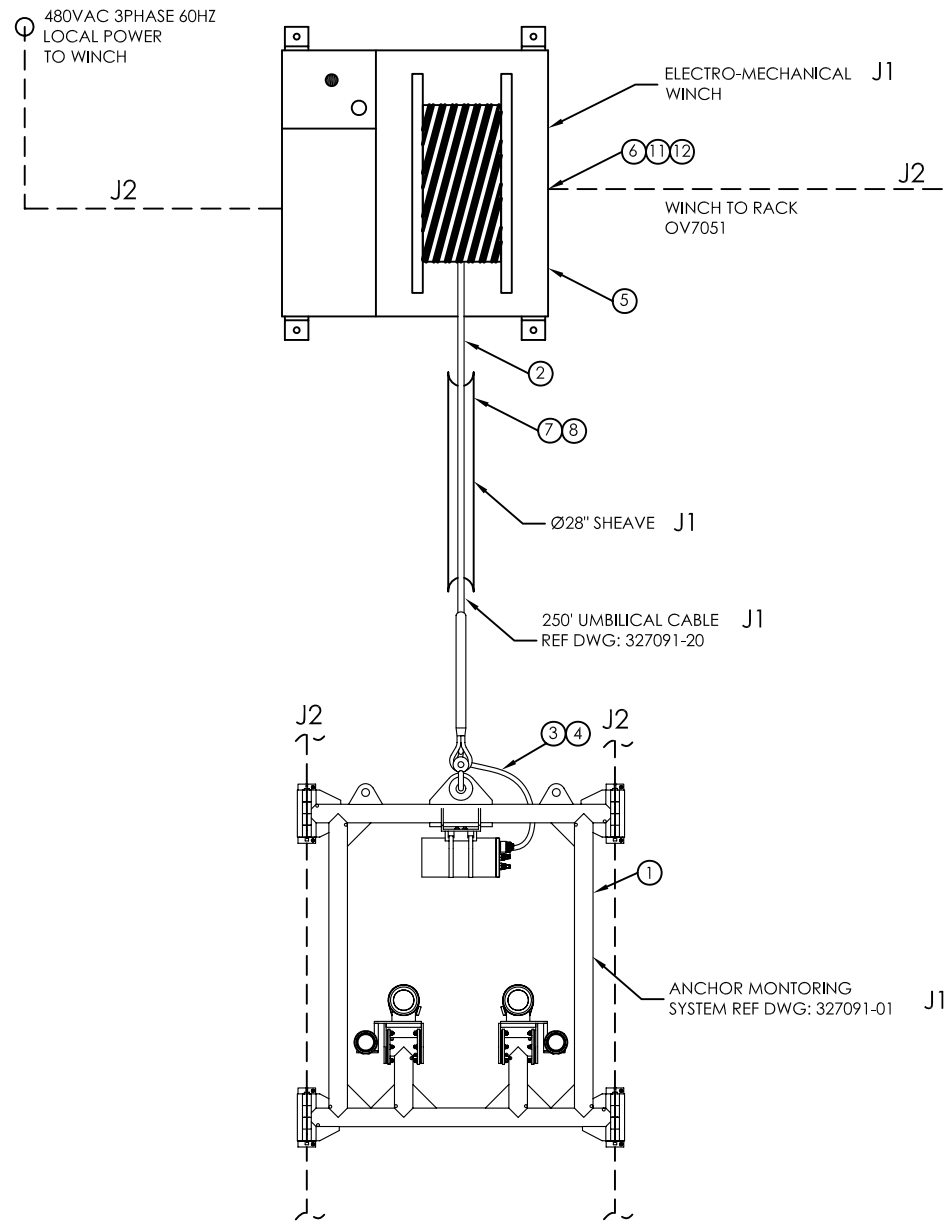
- NOTES:
 1. SEE SEPARATE PARTS LIST: PL-327091-00

REVISIONS			
REV.	DESCRIPTION	DATE	APPROVED
A	REFLECTS MODIFICATIONS PER INSTALLATION	4/26/06	JG


WINCH DECK

ANCHOR WINCH CONTROL CABIN

ENGINE CONTROL ROOM



- J1 ——— DELIVERED BY SIDUS
 J2 - - - - - EXISTING EQUIPMENT

UNLESS OTHERWISE SPECIFIED DIMENSIONS ARE IN INCHES WITH THESE TOLERANCES: DECIMAL ANGLE .XX ± .01 ± 1.0° .XXX ± .005	APPROVALS	DATE		
	DRAWN J. GARDINER	10/11/06		
	CHECKED			
	ENG APPR. G. HOWE	12/28/06		
INTERPRET GEOMETRIC TOLERANCING PER: ANSI-Y14.5M	COMMENTS:		ANCHOR MONITORING SYSTEM TOP LEVEL	
MATERIAL	CAD GENERATED DRAWING, DO NOT UPDATE MANUALLY	SIZE B		DWG. NO. 327091-00
FINISH		SCALE: 1:1		
DO NOT SCALE DRAWING			SHEET 1 OF 1	