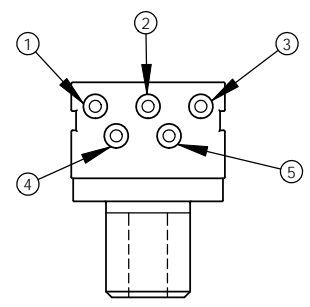
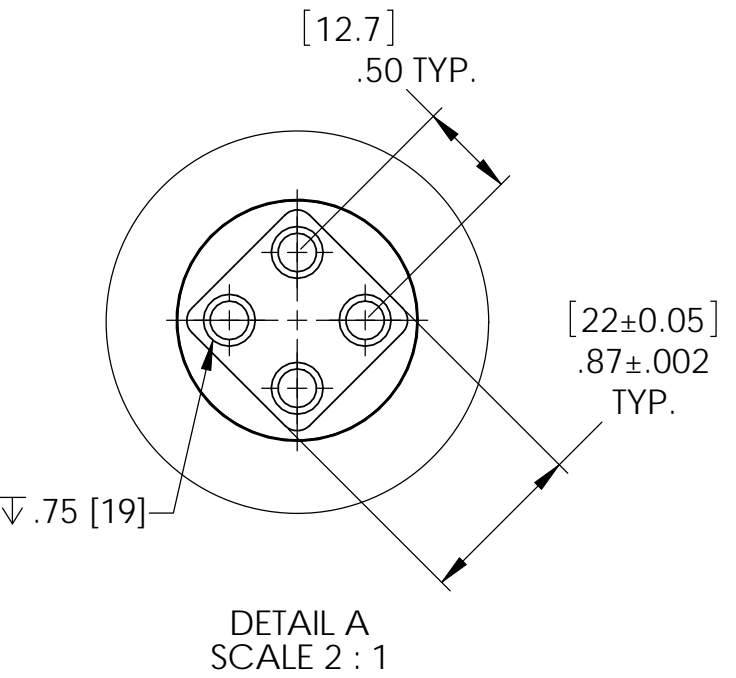
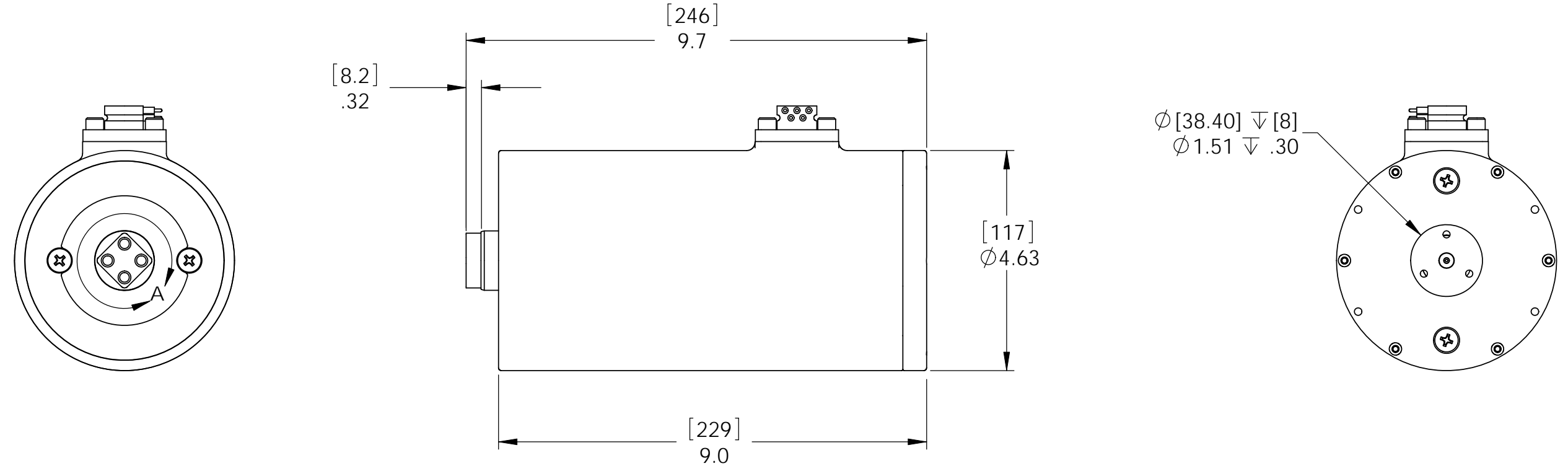


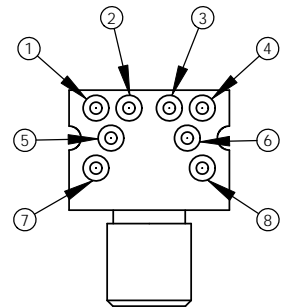
THE INFORMATION CONTAINED IN THIS DRAWING IS THE SOLE PROPERTY OF SIDUS SOLUTIONS INC. ANY REPRODUCTION IN ANY PART OR AS A WHOLE WITHOUT THE WRITTEN PERMISSION OF SIDUS SOLUTIONS INC. IS PROHIBITED.

- NOTES: UNLESS OTHERWISE SPECIFIED
1. HOUSING MATERIAL: HARD BLACK ANODIZED ALUMINUM
  2. OPERATING DEPTH: 3000m (oil filled), 30m (air filled)
  3. MAXIMUM TORQUE: 65 ft-lb (88 N\*m)
  4. UNIT WEIGHT IN AIR: 14.5 LB [6.6 KG] (oil filled), 12.7LB [5.8 KG] (air filled)
  5. UNIT WEIGHT IN WATER: 9.3 LB [4.2 KG] (oil filled), 8.2LB [3.7 KG] (air filled)
  6. COMMUNICATION: RS-485, RS-232, OR ANALOG

REVISIONS			
REV.	DESCRIPTION	DATE	APPROVED
A	REVISED NOTES AND ADDED NON-DRIVEN END VIEW	2/20/07	JG
B	ADDED PIN OUT	11/18/2008	DP
C	UPDATED TOLERANCES AND WEIGHTS	3/4/2011	JG



FAWL-5P-MP  
SCALE 2:1



FAWM-8P-MP

PIN CONFIGURATION FOR ANALOG COMMUNICATION WITH FEEDBACK	
PIN	FUNCTION
1	GROUND
2	TILT CCW
3	TILT CW
4	PAN CW
5	PAN CCW
6	TILT FEEDBACK
7	PAN FEEDBACK
8	NOT CONNECTED

PIN CONFIGURATION FOR RS-485 COMMUNICATION	
PIN	FUNCTION
1	GROUND
2	+24 VDC
3	UNUSED
4	TX +
5	TX -

PIN CONFIGURATION FOR RS-232 COMMUNICATION	
PIN	FUNCTION
1	GROUND
2	+24 VDC
3	SIGNAL GROUND
4	RX +
5	TX +

PIN CONFIGURATION FOR ANALOG COMMUNICATION WITHOUT FEEDBACK	
PIN	FUNCTION
1	GROUND
2	TILT CCW
3	TILT CW
4	PAN CW
5	PAN CCW

UNLESS OTHERWISE SPECIFIED DIMENSIONS ARE IN INCHES WITH THESE TOLERANCES:	APPROVAL	DATE
DECIMAL XX ± .01	A. CARROLL	3/12/04
ANGLE XXX ± .005		
INTERPRET GEOMETRIC TOLERANCING PER: ANSI Y14.5M		
REFER TO NOTE #1		
FINISH RMS SURFACE FINISH 32	COMMENTS	
DO NOT SCALE DRAWING	CAD GENERATED DRAWING DO NOT UPDATE MANUALLY	
APPLICATION	SS 350	

**SIDUS SOLUTIONS**

SS350 STRAIGHT OI

SIZE: DWG. NO. 906005302-01 OI REV C

SCALE: 1:1 PART FILE: 906005302 SHEET 1 OF 1