

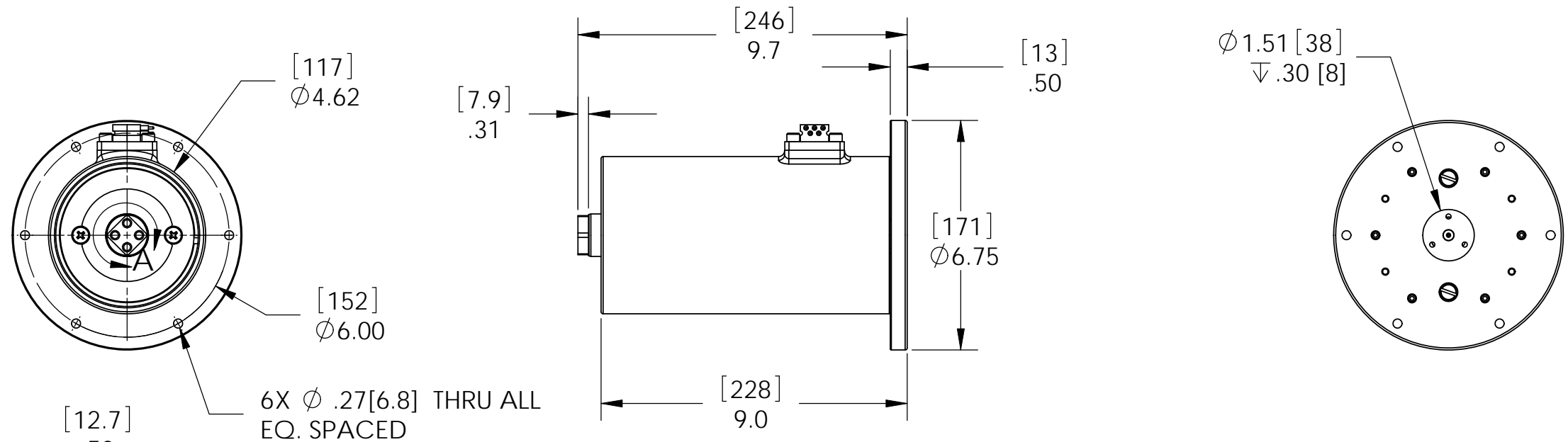
PROPRIETARY AND CONFIDENTIAL

THE INFORMATION CONTAINED IN THIS DRAWING IS THE SOLE PROPERTY OF SIDUS SOLUTIONS LLC. ANY REPRODUCTION IN ANY PART OR AS A WHOLE WITHOUT THE WRITTEN PERMISSION OF SIDUS SOLUTIONS LLC. IS PROHIBITED.

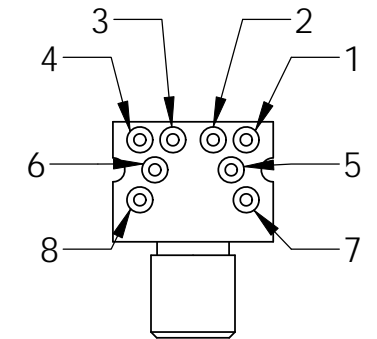
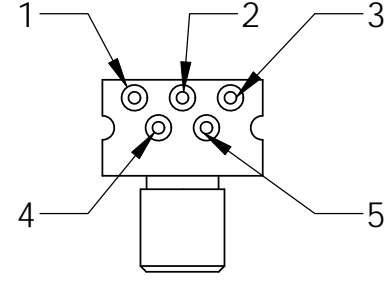
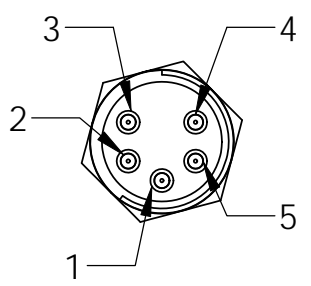
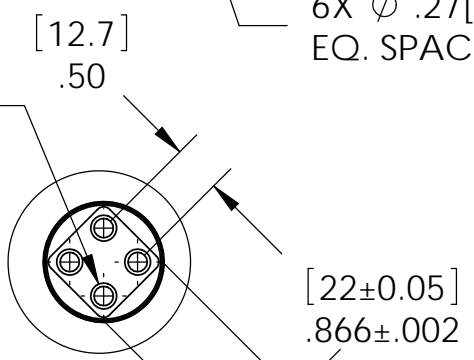
NOTES: UNLESS OTHERWISE SPECIFIED

1. HOUSING MATERIAL: HARD BLACK ANODIZED 6061-T6 ALUMINUM
2. OPERATING DEPTH: 3000m (oil filled), 30m (air filled)
3. MAXIMUM TORQUE: 65 ft-lb (88 N*m)
4. UNIT WEIGHT IN AIR: 15.5 lb/7.1 kg (oil filled), 13.7 lb/6.2 kg (air filled)
5. UNIT WEIGHT IN WATER: 9.9 lb/4.5 kg (oil filled), 8.7lb/4.0 kg (air filled)
6. COMMUNICATION: RS-485, RS-232, OR ANALOG

REVISIONS					
REV.	DESCRIPTION	DATE	REVISED	DATE	APPROVED
A	INITIAL RELEASE	11/2/2010	DJP	11/3/10	JMG
B	UPDATED WEIGHTS & CONNECTOR ORIENTATION	3/3/2011	JMG	3/14/11	KS



4X 1/4-20 UNC - 2B
 ∇ .75 [19]



PIN CONFIGURATION FOR ANALOG COMMUNICATION WITH FEEDBACK	
PIN	FUNCTION
1	GROUND
2	TILT CCW
3	TILT CW
4	PAN CW
5	PAN CCW
6	TILT FEEDBACK
7	PAN FEEDBACK
8	NOT CONNECTED

PIN CONFIGURATION FOR RS-485 COMMUNICATION	
PIN	FUNCTION
1	GROUND
2	+24 VDC
3	UNUSED
4	TX +
5	TX -

PIN CONFIGURATION FOR RS-232 COMMUNICATION	
PIN	FUNCTION
1	GROUND
2	+24 VDC
3	SIGNAL GROUND
4	RX +
5	TX +

PIN CONFIGURATION FOR ANALOG COMMUNICATION WITHOUT FEEDBACK	
PIN	FUNCTION
1	GROUND
2	TILT CCW
3	TILT CW
4	PAN CW
5	PAN CCW

APPROVALS	DATE
DRAWN D. PROCTOR	11/02/10
CHECKED	
ENG APPR J. GARDINER	11/05/10
MFG APPR	
C.A.	
COMMENTS: CAD GENERATED DRAWING, DO NOT UPDATE MANUALLY DO NOT SCALE DRAWING	



SS350 FLANGED OI

SIZE B	DWG. NO. 906005308-01	REV B
SCALE: 1:4		PART FILE: PRT
SHEET 1 OF 1		