

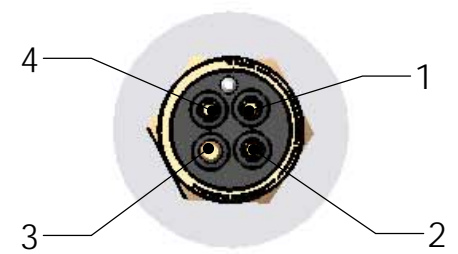
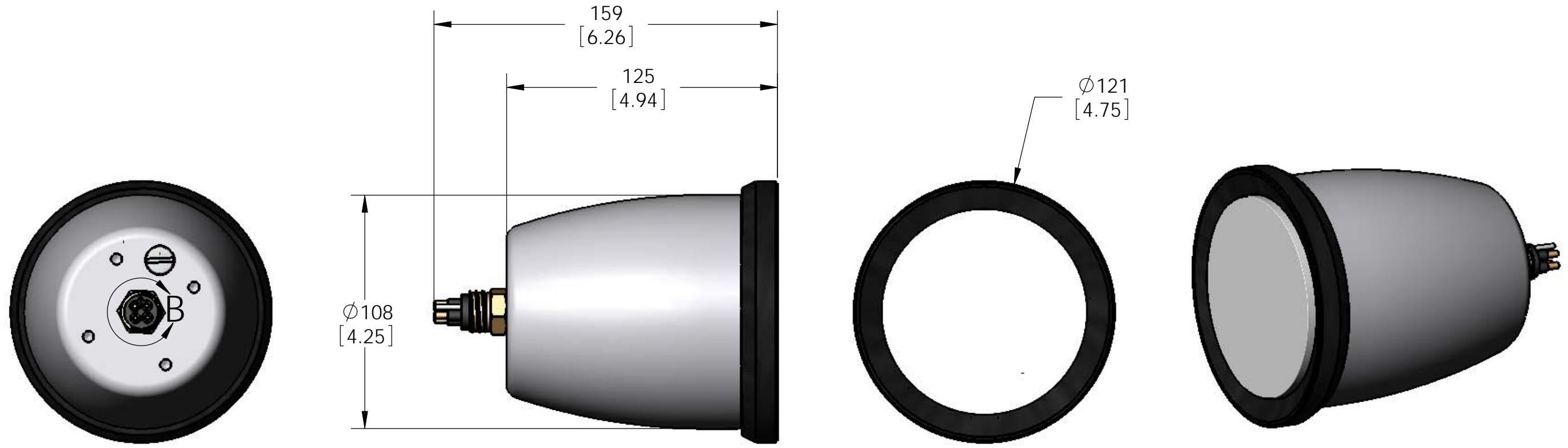
PROPRIETARY AND CONFIDENTIAL

THE INFORMATION CONTAINED IN THIS DRAWING IS THE SOLE PROPERTY OF SIDUS SOLUTIONS LLC. ANY REPRODUCTION IN ANY PART OR AS A WHOLE WITHOUT THE WRITTEN PERMISSION OF SIDUS SOLUTIONS LLC. IS PROHIBITED.

NOTES: UNLESS OTHERWISE SPECIFIED

1. HOUSING MATERIAL: HARD ANODIZED 6061-T6 ALUMINUM
2. DEPTH RATING: 3000m (10,000 ft)
3. BEAM ANGLE: 46 DEGREE CONICAL IN WATER (>50% OUTPUT)
4. INPUT POWER: 20-28VDC / 900mA
5. LUMINOUS FLUX: 3500 LUX AT 1m
6. DIMMING: RS-485 CONTROL
7. COLOR TEMPERATURE: 6500K
8. LED LIFE: 50,000 HOURS
9. FOR USE IN WATER ONLY


| REVISIONS |                 |            |    |
|-----------|-----------------|------------|----|
| REV.      | DESCRIPTION     | DATE       | BY |
| A         | INITIAL RELEASE | 11/16/2010 | JG |



DETAIL B  
SCALE 1 : 1

SUBCONN MCBH4M MALE FACE VIEW

| CONNECTOR PIN | FUNCTION |
|---------------|----------|
| 1             | 24 VDC   |
| 2             | COMMON   |
| 3             | RS-485+  |
| 4             | RS-485-  |

|   |  |                  |   |
|---|--|------------------|---|
| UNLESS OTHERWISE SPECIFIED<br>DIMENSIONS ARE IN INCHES<br>WITH THESE TOLERANCES:<br><br>DECIMAL      ANGLE<br>.XX ± .01      ±1.0°<br>.XXX ± .005 | APPROVALS  | DATE             |  |
|   | DRAWN<br>D. PROCTOR                              | 6/14/10          |   |
|   | CHECKED  |                  |   |
|   | ENG APPR.  |                  |   |
| INTERPRET GEOMETRIC<br>TOLERANCING PER: ANSI-Y14.5M   | COMMENTS:  |                  | SS 182 LED Light  |
| MATERIAL  | CAD GENERATED DRAWING,<br>DO NOT UPDATE MANUALLY | SIZE<br><b>B</b> | DWG. NO.<br>901005305   |
| FINISH  |  | SCALE: 1:4       | REV<br><b>A</b>   |
| DO NOT SCALE DRAWING  |  | SHEET 1 OF 1     |   |