

Cam.st.PT36W



GENERAL DESCRIPTION

The PT-36 W is a weatherproof camera station designed for night time surveillance in marine environment. The key purpose is to detect oil spills on water surface, as well as personnel and vessel detection in total darkness.

The sensor is a long-wave infrared thermal imaging device, able to detect a person up to approx 500m. No cooling unit of the sensor is required, and thus the lifetime is estimated to 20 000 hours.

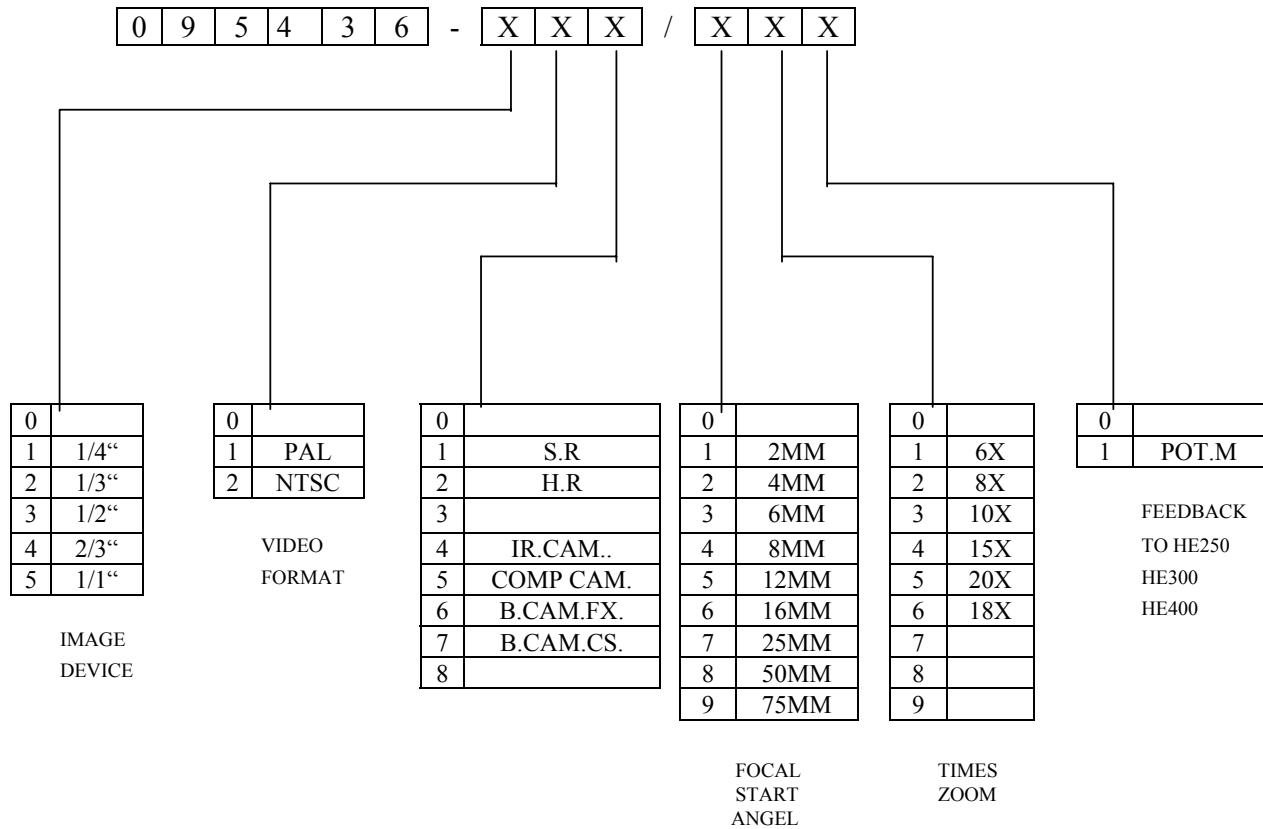
The camera station is delivered complete and fully tested with camera, lens and telemetry control for HERNIS 400 and HERNIS 250 control system.

Export restrictions applies to this product, and we reserves the right to refuse any sales.

SPECIFICATIONS

Item Group	1.2
Video Output	Composite video signal: 1.0V(p-p), 75 Ohms, unbalanced, PAL,
Lens	50mm f/1, motor driven focus, adjustable iris, other lenses are optional
Picture control	Digital zoom, adjustable contrast
Resolution	320 x 240 pixels
Data signals	RS-422, HE400 protocol
Power Supply	30VAC 50/60Hz
Power Consumption (Max)	3A
Operating temperature range	-30°C ~ +50°C (Heating element inside housing)
Storage temperature	-46°C ~ +71°C
Operation humidity	Less than 90% Rh (non-condensing)
Weight	15,5 kg
Rotating angle (Pan & tilt)	0-350° & ± 90°
Protection	IP 66
Material	Stainless steel, AISI 316, electropolished
Liquid Tank Capacity	2 Litre
Option	Sunshield
Wind rating	100 knots
Free rotating radius	360 mm
Free height	560 mm
Mounting	Upright or hanging
HERNIS Part Number	095436-xxx/xxx

PART NUMBERING SYSTEM



Part Number	Description
95436-514/600	Cam.st.PT36W. 1/1"PAL,IR/18mm ,HE200
95436-514/601	Cam.st.PT36W. 1/1"PAL,IR/18mm ,HE300
95436-514/700	Cam.st.PT36W. 1/1"PAL,IR/25mm ,HE200
95436-514/701	Cam.st.PT36W. 1/1"PAL,IR/25mm ,HE300
95436-514/800	Cam.st.PT36W. 1/1"PAL,IR/50mm ,HE200
95436-514/801	Cam.st.PT36W. 1/1"PAL,IR/50mm ,HE300
95436-524/600	Cam.st.PT36W. 1/1"NTSC,IR/18mm ,HE200
95436-524/601	Cam.st.PT36W. 1/1"NTSC,IR/18mm ,HE300
95436-524/700	Cam.st.PT36W. 1/1"NTSC,IR/25mm ,HE200
95436-524/701	Cam.st.PT36W. 1/1"NTSC,IR/25mm ,HE300
95436-524/800	Cam.st.PT36W. 1/1"NTSC,IR/50mm ,HE200
95436-524/801	Cam.st.PT36W. 1/1"NTSC,IR/50mm ,HE300