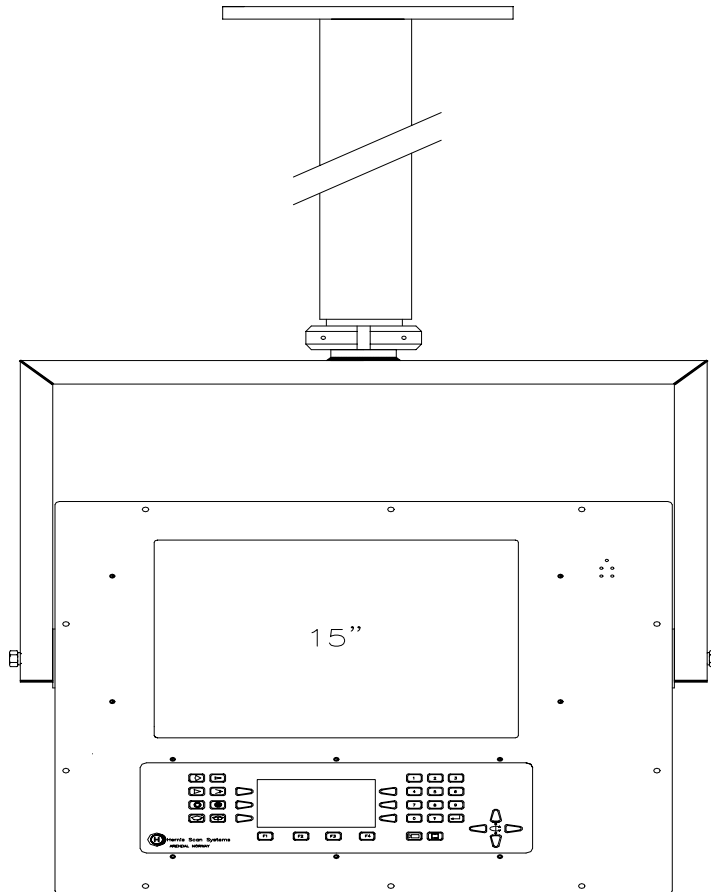
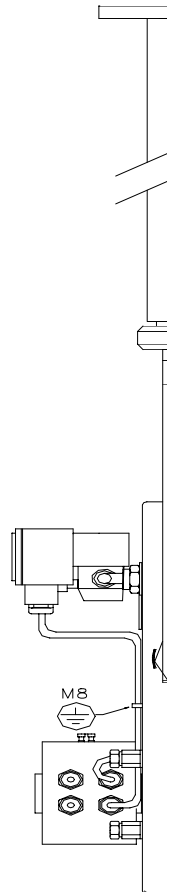


# MONITOR 15" EX415CPC/LCD w/OK400AX

FRONT VIEW



SIDE



## SPECIFICATIONS

Item Group	4.2
Colour system	PAL / SECAM / NTSC 3.58 System
CRT	15" LCD ( TFT Technology )
Video input	Composite video (1.0Vp-p, 75 Ω) and YC/S-Video
Resolution	1024 pixels X 768 lines
Power requirements	AC 240VAC, 50/60Hz
Power consumption	Max 100 W
Material	Stainless steel AISI 316, electro polished
Approval	EExp dem[ib] IIC T4, IP55

Certificate	Nemko No.: EX97D020U
Dimensions	H: Approx. 500mm W: Approx. 570mm D: Approx. 120mm (without purge equipment), Approx. 240mm with purge equipment
Weight	35kg
Option	Purge controller and solenoid is optional and not part of P/N 095360
HERNIS Part Number	095360

Note: Mounting bracket is not included. All data in data sheet are subject to change without any notice.