

Preliminary!
Cam.st. EX286W.

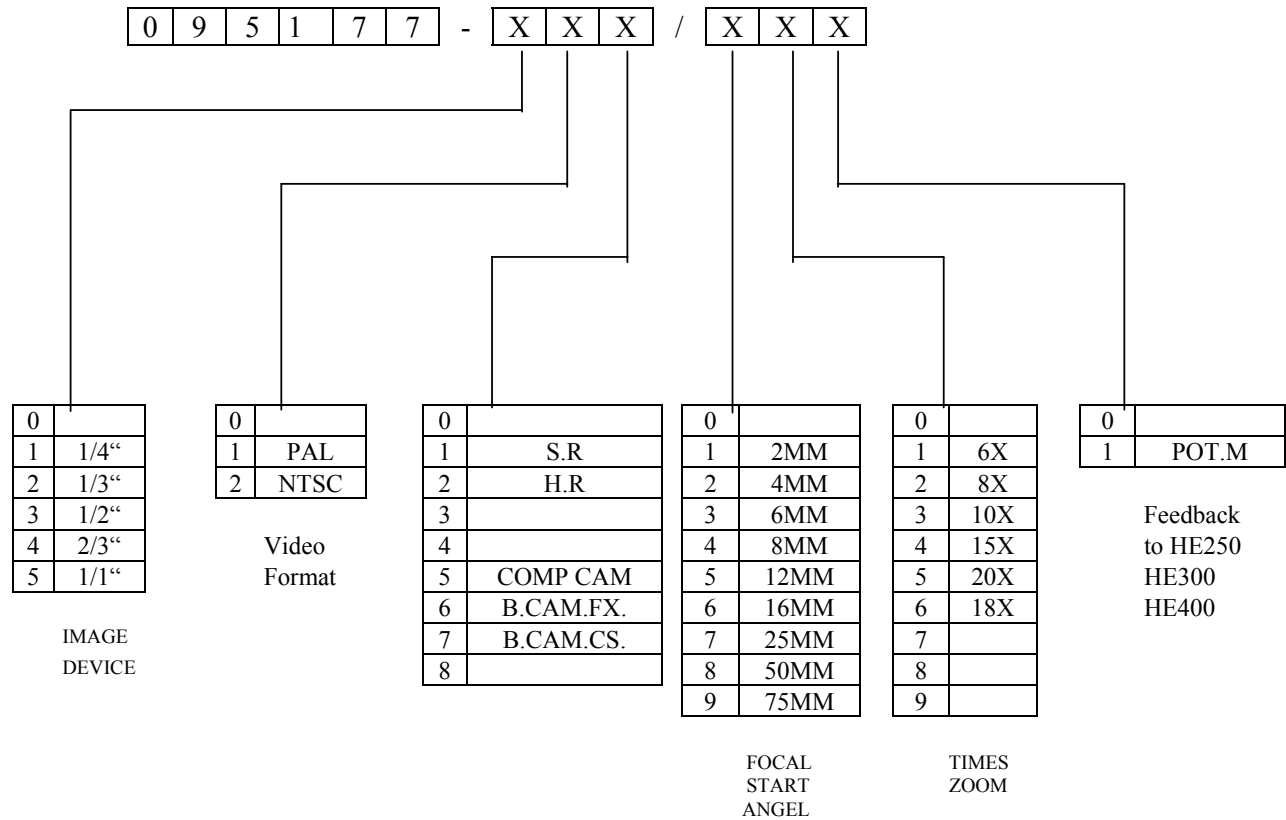


SPECIFICATIONS

Item Group	1.1
Video Output	Composite video signal: 1.0V(p-p), 75 Ohms, unbalanced
Power Supply	30VAC 50/60Hz
Power Consumption (Max)	40W
Operating temperature range	-20°C ~ +50°C (heating element inside housing)
Operation humidity	Less than 95% Rh (non-condensing)
Weight	19Kg
Material & finish	Stainless steel AISI 316, Electro polished
Rotating angle (Pan & Tilt)	360° & 180°
Protection	IP 66
Approval	Eexd(e) IIC T6 (CENELEC) (ATEX??)
Sunshield (Option)	095179
Water Tank & Pump Unit 5L (Option)	095178
HERNIS Part Number	095177-xxx/xxx

Note: All data in datasheet are subject to change without any notice.

PART NUMBERING SYSTEM



Part Number	Description
095177-115/260	Cam.st. EX286W. 1/4".PAL.H.R.4-74mm
095177-115/261	Cam.st. EX286W. 1/4".PAL.H.R.4-74mmP
095177-125/260	Cam.st. EX286W. 1/4".NTSC.H.R.4-74mm
095177-125/261	Cam.st. EX286W. 1/4".NTSC.H.R./4-74mmP