

## CAM. ST. EX285-W

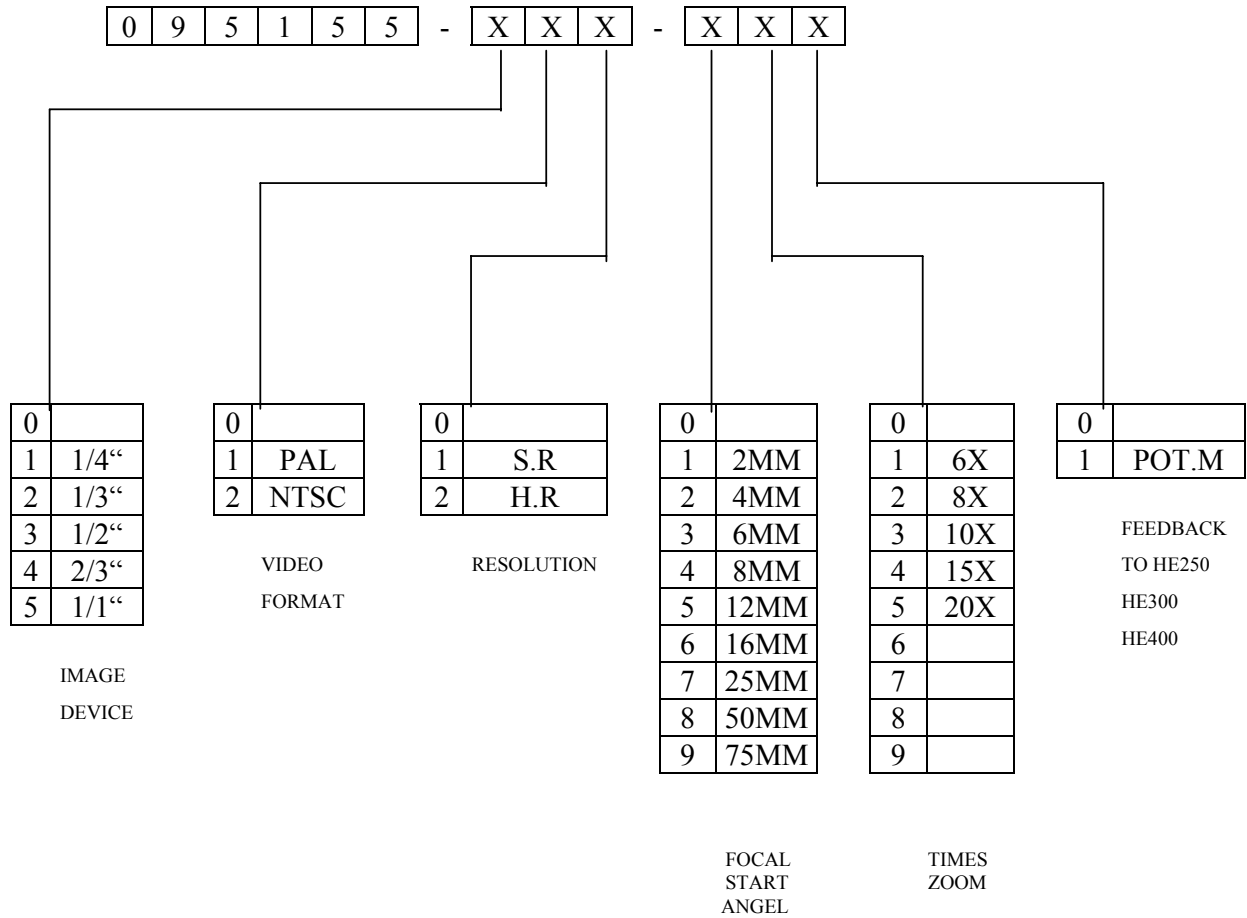


### SPECIFICATIONS

Item Group	1.1
Video Output	Composite video signal: 1.0V(p-p), 75 Ohms, unbalanced
Data signals	RS 422
Power Supply	30VAC 50/60Hz
Power Consumption (Max)	3A
Operating temperature range	-30°C ~ +50°C (Heating element inside housing)
Operation humidity	Less than 90% Rh (non-condensing)
Weight	32kg
Rotating angle (Pan & tilt)	0-350° & ± 90°
Protection	IP 66
Approval	Eexd(e) IIC T6 (CENELEC)
Certificate	Nemko: Ex 96D 311
Option	Sunshield
Wind rating	100 knots
Free rotating radius	360 mm
Free height	625 mm
Mounting	Upright or hanging
HERNIS Part Number	095155 – XXX / XXX.



## PART NUMBERING SYSTEM





<b>Part Number</b>	<b>Description</b>
095155-000/000	Cam.st.EX285-W no cam/lens
095155-000/001	Cam.st.EX285-PW no cam/lens
095155-211/030	Cam.st.EX285-W-1/3",PAL,S.R./6-60mm
095155-211/031	Cam.st.EX285-W-1/3",PAL,S.R./6-60mm,P
095155-211/040	Cam.st.EX285-W-1/3",PAL,S.R./6-90mm
095155-211/041	Cam.st.EX285-W-1/3",PAL,S.R./6-90mm,P
095155-212/030	Cam.st.EX285-W-1/3",PAL,H.R./6-60mm
095155-212/031	Cam.st.EX285-W-1/3",PAL,H.R./6-60mmP
095155-212/040	Cam.st.EX285-W-1/3",PAL,H.R./6-90mm
095155-212/041	Cam.st.EX285-W-1/3",PAL,H.R./6-90mm,P
095155-221/030	Cam.st.EX285-W-1/3",NTSC,S.R./6-60mm
095155-221/031	Cam.st.EX285-W-1/3",NTSC,S.R./6-60mmP
095155-221/040	Cam.st.EX285-W-1/3",NTSC,S.R./6-90mm
095155-221/041	Cam.st.EX285-W-1/3",NTSC,S.R./6-90mmP
095155-222/030	Cam.st.EX285-W-1/3",NTSC,H.R./6-60mm
095155-222/031	Cam.st.EX285-W-1/3",NTSC,H.R./6-60mm,P
095155-222/040	Cam.st.EX285-W-1/3",NTSC,H.R./6-90mm
095155-222/041	Cam.st.EX285-W-1/3",NTSC,H.R./6-90mm,P