

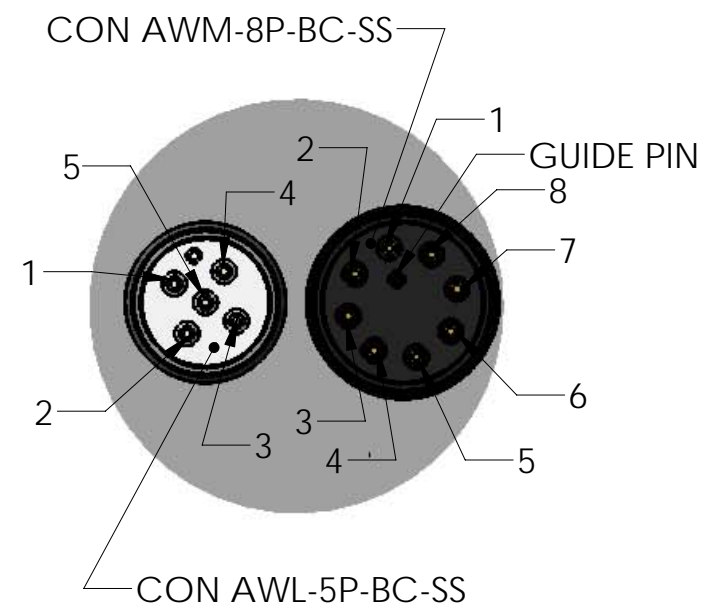
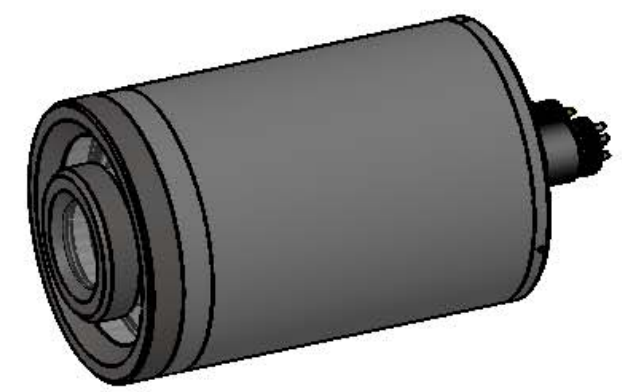
PROPRIETARY AND CONFIDENTIAL

THE INFORMATION CONTAINED IN THIS DRAWING IS THE SOLE PROPERTY OF SIDUS SOLUTIONS INC. ANY REPRODUCTION IN ANY PART OR AS A WHOLE WITHOUT THE WRITTEN PERMISSION OF SIDUS SOLUTIONS INC. IS PROHIBITED.

REVISIONS			
REV.	DESCRIPTION	DATE	APPROVED

NOTES: UNLESS OTHERWISE SPECIFIED

1. MATERIAL: TI6AL4V HOUSING, ACRYLIC WINDOW
2. WEIGHT IN AIR: 18 lb/8 kg, WEIGHT IN WATER: 12 lb/5.5 kg
3. OPERATING DEPTH: 10,000 ft/3000 m
4. OPERATING TEMPERATURE: -5 °C TO 50 °C (23 °F TO 122 °F)
5. OPERATING VOLTAGE: 48 VDC
6. MAXIMUM RESOLUTION: 2560 X 1920 (5.0 MP)
7. MAXIMUM SHUTTER SPEED: 1/20,000
8. MAXIMUM FRAME RATE: 10 fps (4:3), 13 fps (16:9)
9. SENSOR: 1/2" CMOS
10. FOCUS: FIXED (INF)
11. SENSITIVITY: 0.3 lux (COLOR), 0.05 lux (BLACK)
12. DYNAMIC RANGE: 67 dB
13. FIELD OF VIEW IN WATER: 82° D X 66° H X 49° V
14. LEDs: 12 WHITE, 4 RED, ULTRABRITE
15. ETHERNET: 10/100BASETX
16. OUTPUT TO PAN & TILT: 24VDC, RS485
17. SCALING LASERS: 635nm, 10mW, 10cm SPACING



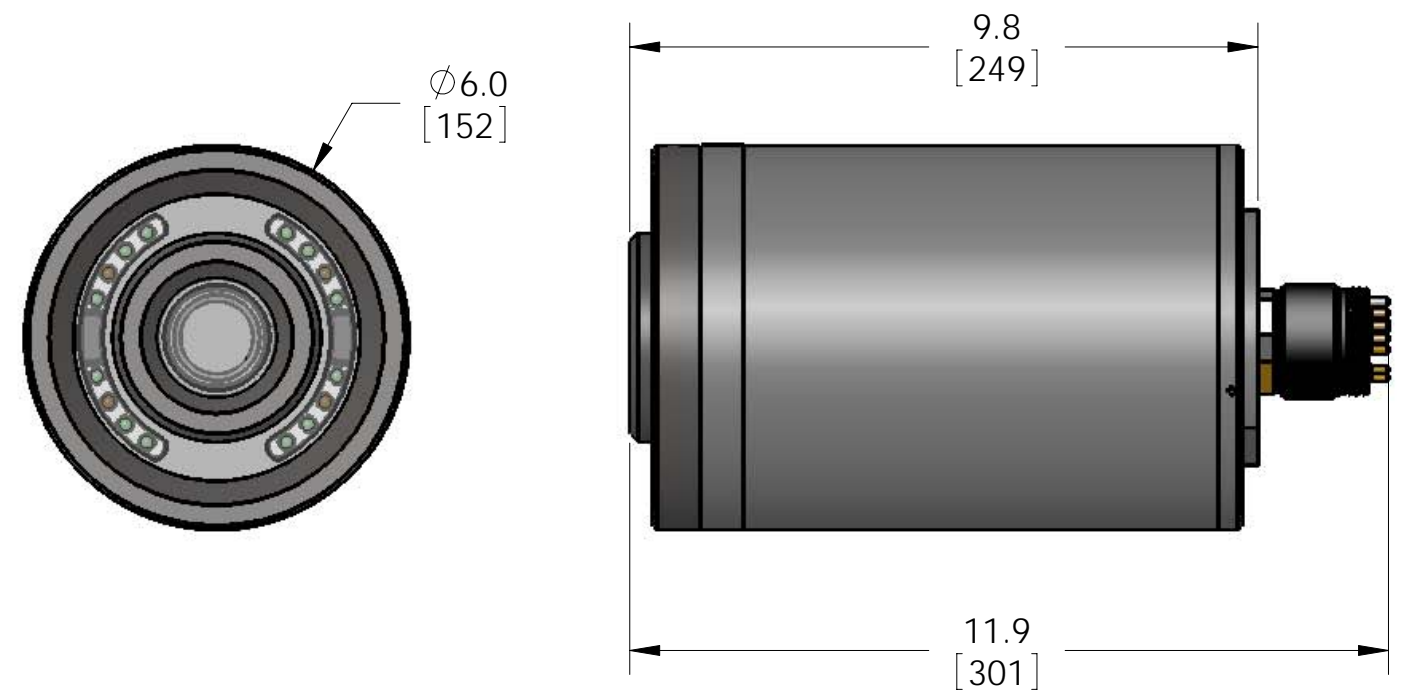
DETAIL A
SCALE 1 : 1.5


AWL-5P-BC-SS CONNECTOR
(OUTPUT TO PAN & TILT)

1. COMMON
2. +24 VDC
3. SPARE
4. RS 485+
5. RS 485-

AWM-8P-BC-SS CONNECTOR

1. COMMON
2. +48 VDC
3. ETHERNET TX+
4. ETHERNET TX-
5. ETHERNET RX+
6. ETHERNET RX-
7. SPARE
8. SPARE



UNLESS OTHERWISE SPECIFIED DIMENSIONS ARE IN INCHES WITH THESE TOLERANCES: DECIMAL .XX ± .01 XXX ± .005 ANGLE ±1.0°	APPROVALS	DATE	
	DRAWN J. Gardiner	5/15/08	
INTERPRET GEOMETRIC TOLERANCING PER: ANSI-Y14.5M	CHECKED		SS429DN IP Camera 5MP
MATERIAL	ENG APPR.		
FINISH	MFG APPR.		SIZE B
DO NOT SCALE DRAWING	COMMENTS: CAD GENERATED DRAWING, DO NOT UPDATE MANUALLY		DWG. NO. 904013305 OI
			REV --
			SCALE: 1:4 PART FILE: PRT SHEET 1 OF 1